

Protistor® size 70 aR

1200VDC (IEC)

SEMICONDUCTOR PROTECTION FUSES

SQUARE BODY HIGH-SPEED FUSE-LINKS DC PROTECTION



Mersen DC offers provide a very high performant protection for railway power and auxiliary circuits. Mersen DC Semiconductor fuse-links were developed to provide improved performance required by today's new DC equipment. These fuse-links are typically operated at more elevated temperature than other fuse type, have lower I^2t to minimize damage to protected components on short circuits, lower watts loss and longer life.

TECHNICAL DATA OVERVIEW

| | |
|----------------------|--------------|
| Voltage DC | 1200 VDC |
| Ampere Range (A) | 20 ... 215 A |
| Speed/Characteristic | aR |
| Product Size | 70 |
| Package | 1 |

FEATURES & BENEFITS

- Low I^2t for improved semiconductor protection
- Extremely fast acting
- Excellent cycling capability
- Very low I^2t
- Worldwide acceptability

APPLICATIONS

- Protection of inverters
- Protection of motor drives
- Protection of UPS systems
- Protection of similar 1200V or less equipments
- Railway power and auxiliary circuits

STANDARDS

- IEC 60269-4 Compliance
- UL 248-1 Recognized



MERSEN reserves the right to change, update or correct, without notice, any information contained in this datasheet.



Protistor® size 70 aR

1200VDC (IEC)

PRODUCT RANGE

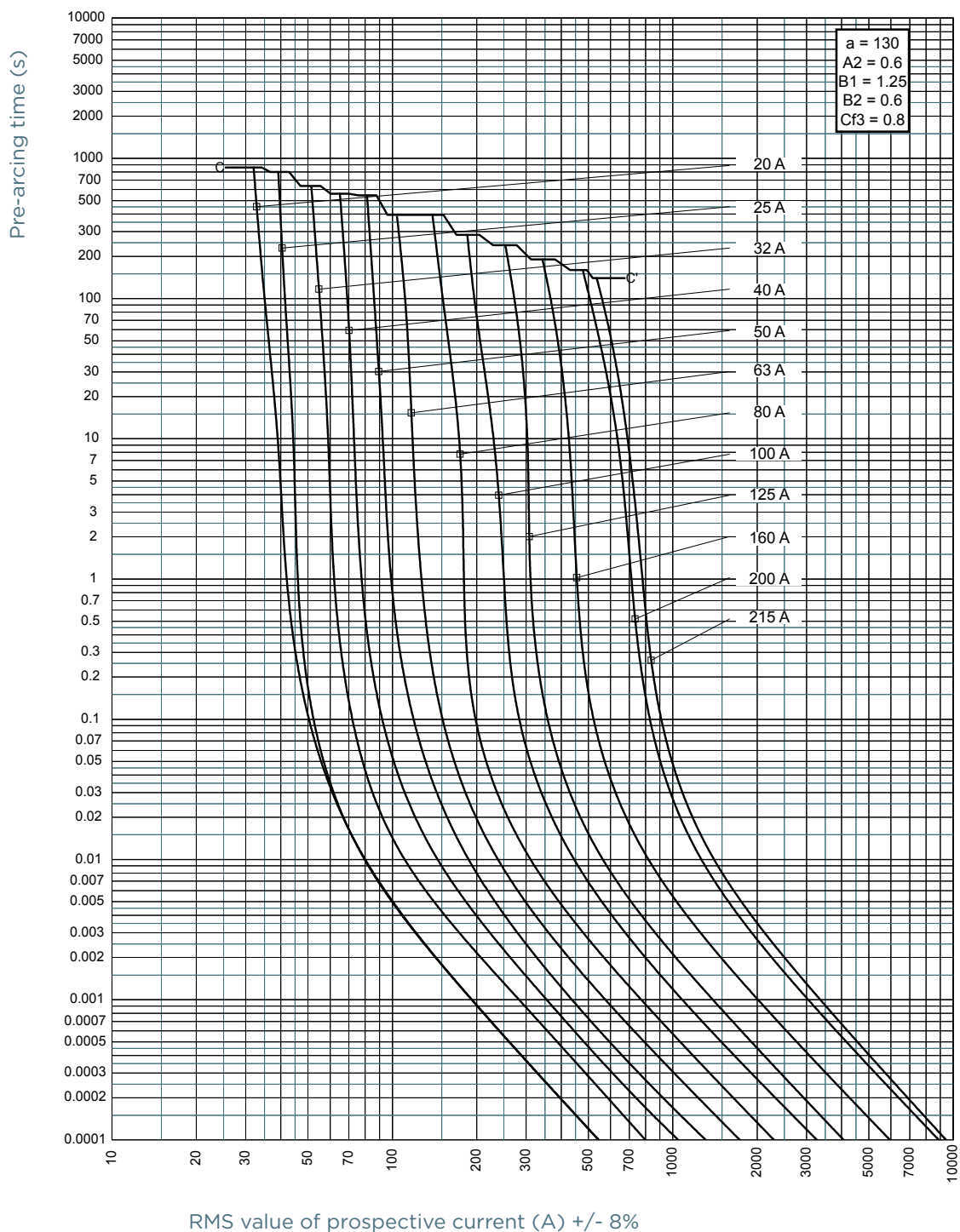


D70SF120V20QF

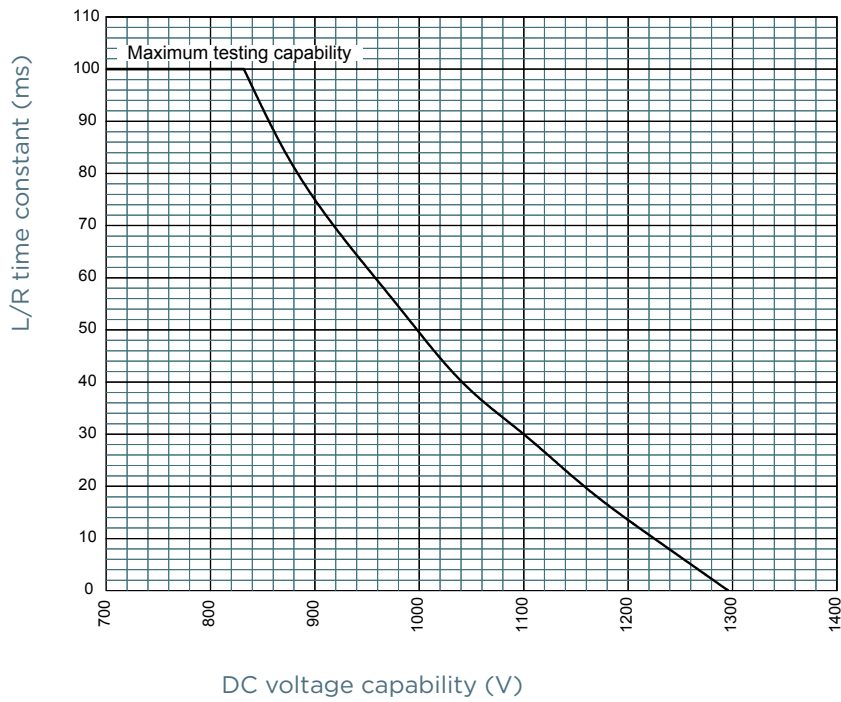
Size 70 aR 1200VDC, with striker

| Catalog number | Item number | Rated current I_n | Rated breaking capacity DC | Power dissipation at $0.8 I_n$ | Power dissipation at I_n | Max. total I^2t @1000V for L/R=45ms | Max. total I^2t @1000V for L/R=15ms | Weight |
|----------------|-------------|---------------------|----------------------------|--------------------------------|----------------------------|---------------------------------------|---------------------------------------|---------|
| D70SF120V20QF | C076638 | 20 A | 100 kA | 4.5 W | 10 W | 0.31 kA ² s | 0.18 kA ² s | 0.68 kg |
| D70SF120V25QF | S079435 | 25 A | 100 kA | 7 W | 15.5 W | 0.31 kA ² s | 0.18 kA ² s | 0.68 kg |
| D70SF120V32QF | T079436 | 32 A | 100 kA | 8.5 W | 18.5 W | 0.61 kA ² s | 0.35 kA ² s | 0.68 kg |
| D70SF120V40QF | V079437 | 40 A | 100 kA | 10 W | 22 W | 1 kA ² s | 0.58 kA ² s | 0.68 kg |
| D70SF120V50QF | W079438 | 50 A | 100 kA | 12 W | 26 W | 1.8 kA ² s | 1.03 kA ² s | 0.68 kg |
| D70SF120V63QF | X079439 | 63 A | 100 kA | 15 W | 33 W | 2.8 kA ² s | 1.6 kA ² s | 0.68 kg |
| D70SF120V80QF | Y079440 | 80 A | 100 kA | 18.5 W | 37.5 W | 5.4 kA ² s | 3.1 kA ² s | 0.68 kg |
| D70SF120V100QF | Z079441 | 100 A | 100 kA | 21.5 W | 44.5 W | 10 kA ² s | 5.8 kA ² s | 0.68 kg |
| D70SF120V125QF | A079442 | 125 A | 100 kA | 28 W | 54 W | 16 kA ² s | 9.2 kA ² s | 0.68 kg |
| D70SF120V160QF | B079443 | 160 A | 100 kA | 34 W | 64 W | 33.2 kA ² s | 19.2 kA ² s | 0.68 kg |
| D70SF120V200QF | C079444 | 200 A | 100 kA | 35 W | 65.5 W | 78.5 kA ² s | 45 kA ² s | 0.68 kg |
| D70SF120V215QF | D079445 | 215 A | 100 kA | 46 W | 89 W | 95 kA ² s | 55 kA ² s | 0.68 kg |

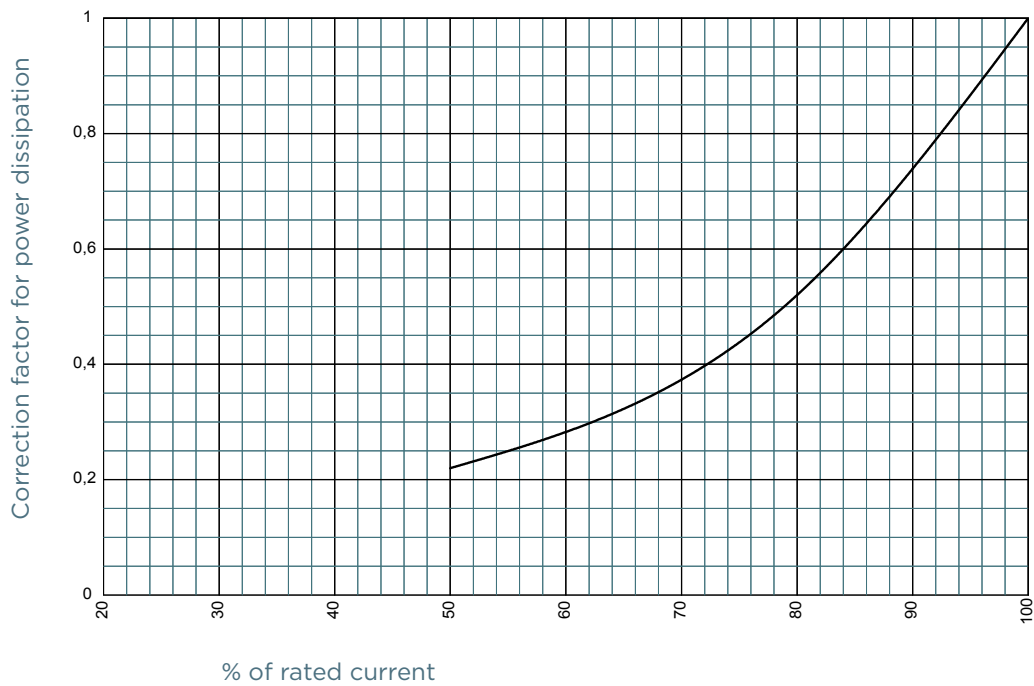
TIME CURRENT CHARACTERISTIC CURVES



L/R TIME CONSTANT VS DC VOLTAGE CAPABILITY



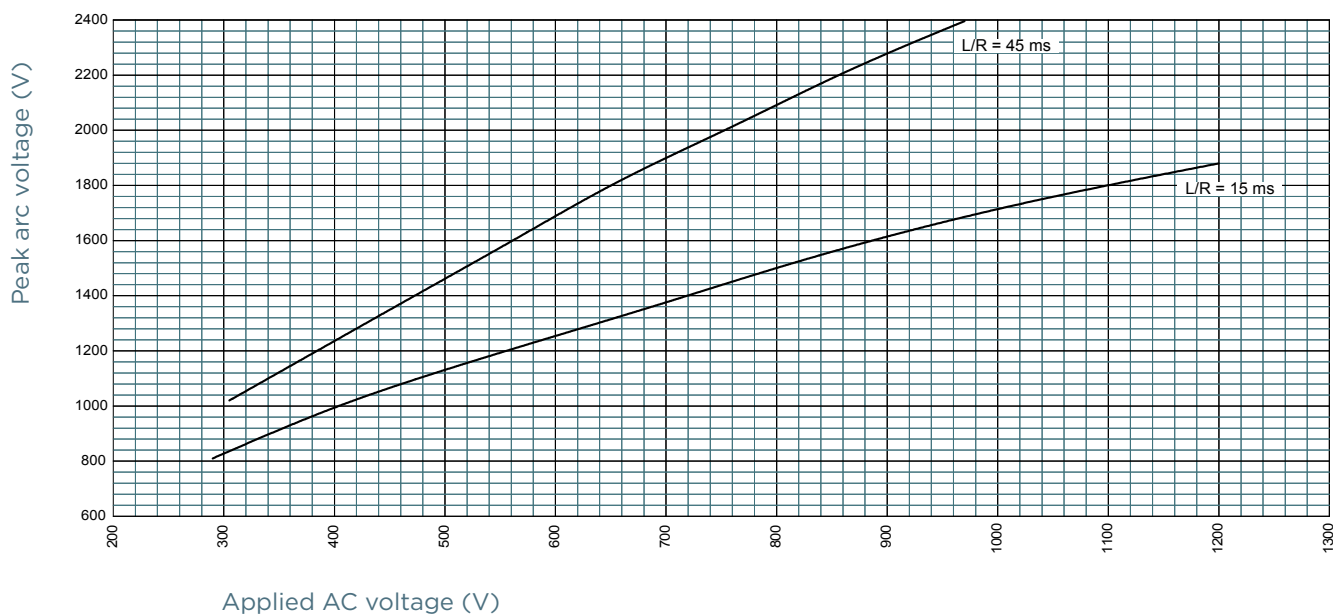
POWER DISSIPATION



Protistor® size 70 aR

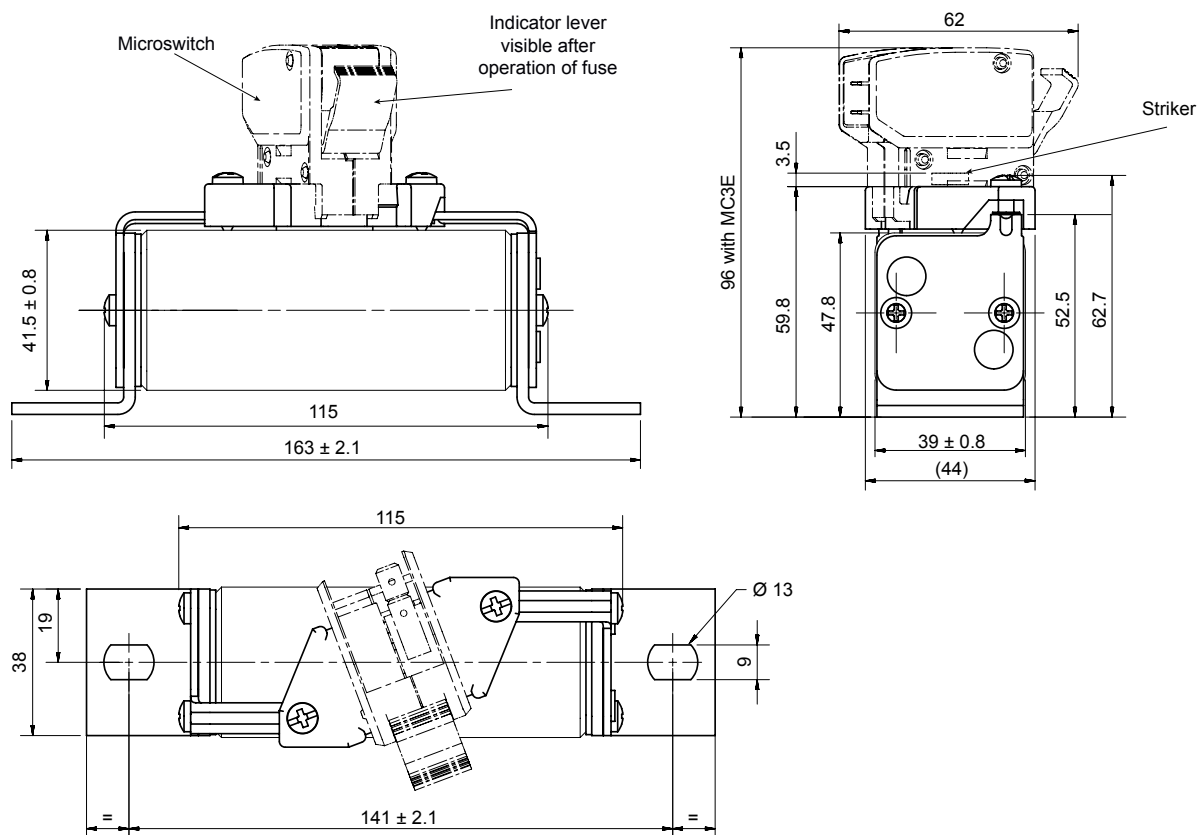
1200VDC (IEC)

PEAK ARC VOLTAGE



DIMENSIONS

Size 70aR 1200VDC



Dimensions in mm

MERSEN reserves the right to change, update or correct, without notice, any information contained in this datasheet.